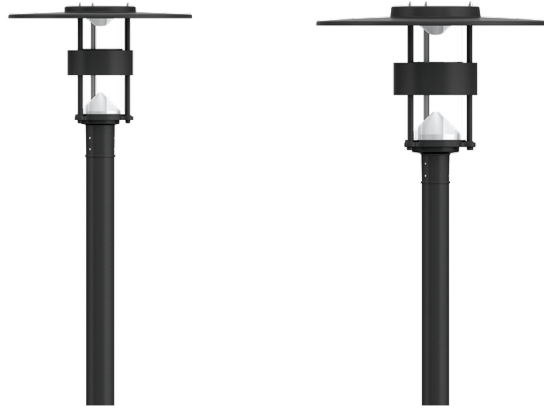


ANDERSON



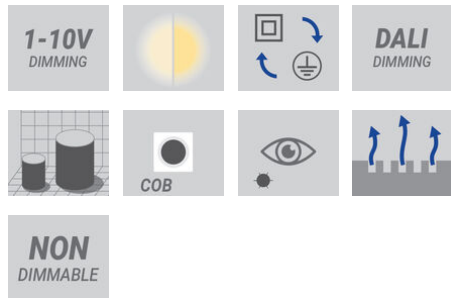
Smart ambient lighting post top.
Fashionable and sleek urban post top
delivering controlled ambient area lighting.



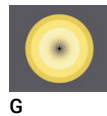
Luminaire Structure

- Die-cast aluminium housing
- Extruded aluminium column
- Pre-treated before powder coating ensuring high corrosion resistance
- Stainless steel fasteners in grade 304 with zinc flake coating (ZFC)
- Durable silicone rubber gasket
- Anodised, high-purity aluminium reflector
- Clear UV-stabilised polycarbonate diffuser
- White coated indirect shade on the top of luminaire

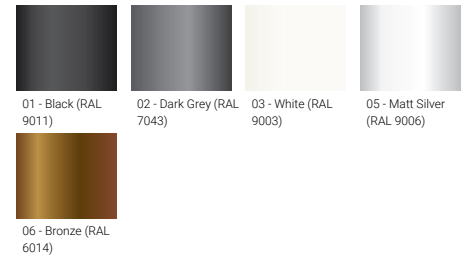
Feature



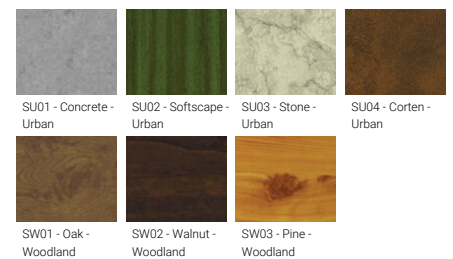
Optic



Product colour



Special finishes upon request



ANDERSON

Technical information

	Model number	Light source	Power	Lumen	Optic	CCT / CRI	Dimming type	Weight
Large								
ANDERSON 2	AD-20011	2 COB	82 W	4928 - 5273 lm	G [360°]	3000K CRI80, 4000K CRI80	On/Off, 1-10V, DALI	18.0 kg
Medium								
ANDERSON 1	AD-20001	2 COB	41 W	2801 - 2997 lm	G [360°]	3000K CRI80, 4000K CRI80	On/Off	9.0 kg

Accessories

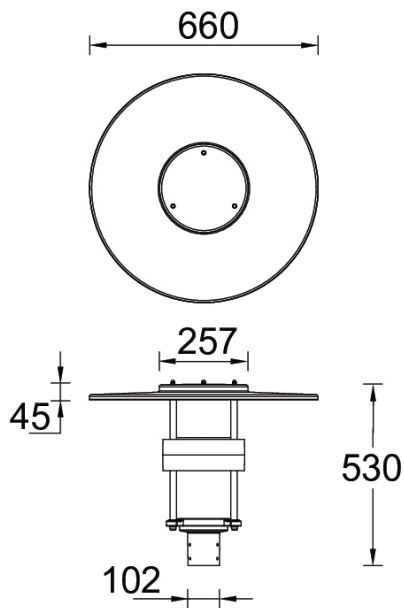


AD-20001

AD-20011

ANDERSON

AD-20001



AD-20011

