

## Geometric Triangle Mini LED



A family of LED luminaires in the shape of a triangle. Thanks to their modern and universal shape, GEOMETRIC TRIANGLE MINI LED luminaires can be used in any type of space inside a building.

**Materials:** powder painted aluminum profile (white, grey, black colours in standard). OPAL diffuser.

**Installation:** ceiling mounted, suspended (to suspend the luminaire you will need: simple suspension – 2 pcs and electric suspension – 1 pc)

**Accessories:** suspensions (simple, electric), Geometric Triangle central suspension 3x

**Power:** 230V

### ELECTRICAL DATA

Light source	LED
LED modules	1x
Type of equipment	AC
Voltage rating	220 ... 240 V
Power factor	0.96

### MECHANICAL DATA

Type of installation	Universal
Housing material	Aluminum

### CERTIFICATES

Degree of protection (IP)	IP20
Class of protection	I
Light source protection	Yes
CE	Yes
HACCP+	Yes
EAC	Yes
Power Flicker	=< 3%

### LIGHT DATA

Light colour	White
Light distribution	DI
Light output degradation	B10
Lumen maintenance	L80
Lifetime	> 72000 h
MacAdam	SDCM 3
Lamp Lumen Maintenance Factor (after 60 000h)	84 %

### OPTICAL DATA

Louver/ shutter	OPAL
Diffuser colour	White
Diffuser material	Opal plastic

### AVAILABLE VARIANTS

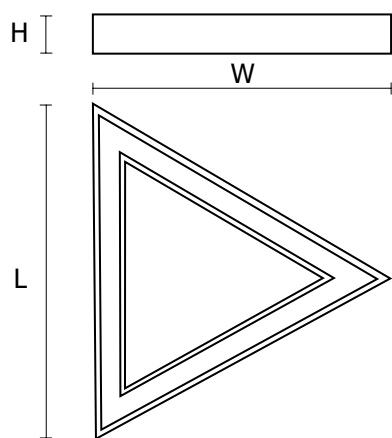
Luminaire power [W]	Luminaire luminous flux [lm]	Luminaire's luminous efficacy [lm/W]	Colour temperature	Colour	Weight [kg]	ON/OFF	DALI
22	2870	130	3000K	White	1.60	AG005.1111.830.A000	
22	2940	134	4000K	White	1.60	AG005.1111.840.A000	
22	2440	111	3000K	White	1.60	AG005.1111.930.A000	

## AVAILABLE VARIANTS

Luminaire power [W]	Luminaire luminous flux [lm]	Luminaire's luminous efficacy [lm/W]	Colour temperature	Colour	Weight [kg]	ON/OFF	DALI
22	2500	114	4000K	White	1.60	AG005.1111.940.A000	
22	2870	130	3000K	Grey	1.60	AG005.2211.830.A000	
22	2940	134	4000K	Grey	1.60	AG005.2211.840.A000	
22	2440	111	3000K	Grey	1.60	AG005.2211.930.A000	
22	2500	114	4000K	Grey	1.60	AG005.2211.940.A000	
22	2870	130	3000K	Black	1.60	AG005.3311.830.A000	
22	2940	134	4000K	Black	1.60	AG005.3311.840.A000	
22	2440	111	3000K	Black	1.60	AG005.3311.930.A000	
22	2500	114	4000K	Black	1.60	AG005.3311.940.A000	
44	5700	130	3000K	White	2.60	AG006.1111.830.A000	AG006.1111.830.D000
44	5850	133	4000K	White	2.60	AG006.1111.840.A000	AG006.1111.840.D000
44	4850	110	3000K	White	2.60	AG006.1111.930.A000	AG006.1111.930.D000
44	4980	113	4000K	White	2.60	AG006.1111.940.A000	AG006.1111.940.D000
44	5700	130	3000K	Grey	2.60	AG006.2211.830.A000	AG006.2211.830.D000
44	5850	133	4000K	Grey	2.60	AG006.2211.840.A000	AG006.2211.840.D000
44	4850	110	3000K	Grey	2.60	AG006.2211.930.A000	AG006.2211.930.D000
44	4980	113	4000K	Grey	2.60	AG006.2211.940.A000	AG006.2211.940.D000
44	5700	130	3000K	Black	2.60	AG006.3311.830.A000	AG006.3311.830.D000
44	5850	133	4000K	Black	2.60	AG006.3311.840.A000	AG006.3311.840.D000
44	4850	110	3000K	Black	2.60	AG006.3311.930.A000	AG006.3311.930.D000
44	4980	113	4000K	Black	2.60	AG006.3311.940.A000	AG006.3311.940.D000
65	8570	132	3000K	White	3.60	AG007.1111.830.A000	AG007.1111.830.D000
65	8790	135	4000K	White	3.60	AG007.1111.840.A000	AG007.1111.840.D000
65	7290	112	3000K	White	3.60	AG007.1111.930.A000	AG007.1111.930.D000
65	7480	115	4000K	White	3.60	AG007.1111.940.A000	AG007.1111.940.D000
65	8570	132	3000K	Grey	3.60	AG007.2211.830.A000	AG007.2211.830.D000
65	8790	135	4000K	Grey	3.60	AG007.2211.840.A000	AG007.2211.840.D000
65	7290	112	3000K	Grey	3.60	AG007.2211.930.A000	AG007.2211.930.D000
65	7480	115	4000K	Grey	3.60	AG007.2211.940.A000	AG007.2211.940.D000
65	8570	132	3000K	Black	3.60	AG007.3311.830.A000	AG007.3311.830.D000
65	8790	135	4000K	Black	3.60	AG007.3311.840.A000	AG007.3311.840.D000
65	7290	112	3000K	Black	3.60	AG007.3311.930.A000	AG007.3311.930.D000
65	7480	115	4000K	Black	3.60	AG007.3311.940.A000	AG007.3311.940.D000
13	1700	131	3000K	White	1.60	AG008.1111.830.A000	AG008.1111.830.D000
13	1750	135	4000K	White	1.60	AG008.1111.840.A000	
13	1450	112	3000K	White	1.60	AG008.1111.930.A000	
13	1490	115	4000K	White	1.60	AG008.1111.940.A000	
13	1700	131	3000K	Grey	1.60	AG008.2211.830.A000	
13	1750	135	4000K	Grey	1.60	AG008.2211.840.A000	
13	1450	112	3000K	Grey	1.60	AG008.2211.930.A000	
13	1490	115	4000K	Grey	1.60	AG008.2211.940.A000	
13	1700	131	3000K	Black	1.60	AG008.3311.830.A000	
13	1750	135	4000K	Black	1.60	AG008.3311.840.A000	
13	1450	112	3000K	Black	1.60	AG008.3311.930.A000	
13	1490	115	4000K	Black	1.60	AG008.3311.940.A000	
26	3390	130	3000K	White	2.60	AG009.1111.830.A000	AG009.1111.830.D000
26	3470	133	4000K	White	2.60	AG009.1111.840.A000	AG009.1111.840.D000
26	2890	111	3000K	White	2.60	AG009.1111.930.A000	AG009.1111.930.D000
26	2950	113	4000K	White	2.60	AG009.1111.940.A000	AG009.1111.940.D000

## AVAILABLE VARIANTS

Luminaire power [W]	Luminaire luminous flux [lm]	Luminaire's luminous efficacy [lm/W]	Colour temperature	Colour	Weight [kg]	ON/OFF	DALI
26	3390	130	3000K	Grey	2.60	AG009.2211.830.A000	AG009.2211.830.D000
26	3470	133	4000K	Grey	2.60	AG009.2211.840.A000	AG009.2211.840.D000
26	2890	111	3000K	Grey	2.60	AG009.2211.930.A000	AG009.2211.930.D000
26	2950	113	4000K	Grey	2.60	AG009.2211.940.A000	AG009.2211.940.D000
26	3390	130	3000K	Black	2.60	AG009.3311.830.A000	AG009.3311.830.D000
26	3470	133	4000K	Black	2.60	AG009.3311.840.A000	AG009.3311.840.D000
26	2890	111	3000K	Black	2.60	AG009.3311.930.A000	AG009.3311.930.D000
26	2950	113	4000K	Black	2.60	AG009.3311.940.A000	AG009.3311.940.D000
38	5090	134	3000K	White	3.60	AG010.1111.830.A000	AG010.1111.830.D000
38	5220	137	4000K	White	3.60	AG010.1111.840.A000	AG010.1111.840.D000
38	4330	114	3000K	White	3.60	AG010.1111.930.A000	AG010.1111.930.D000
38	4440	117	4000K	White	3.60	AG010.1111.940.A000	AG010.1111.940.D000
38	5090	134	3000K	Grey	3.60	AG010.2211.830.A000	AG010.2211.830.D000
38	5220	137	4000K	Grey	3.60	AG010.2211.840.A000	AG010.2211.840.D000
38	4330	114	3000K	Grey	3.60	AG010.2211.930.A000	AG010.2211.930.D000
38	4440	117	4000K	Grey	3.60	AG010.2211.940.A000	AG010.2211.940.D000
38	5090	134	3000K	Black	3.60	AG010.3311.830.A000	AG010.3311.830.D000
38	5220	137	4000K	Black	3.60	AG010.3311.840.A000	AG010.3311.840.D000
38	4330	114	3000K	Black	3.60	AG010.3311.930.A000	AG010.3311.930.D000
38	4440	117	4000K	Black	3.60	AG010.3311.940.A000	AG010.3311.940.D000



## DIMENSIONS

L [mm]	W [mm]	H [mm]	ON/OFF	DALI
390	338	46	AG005.1111.830.A000 AG005.1111.840.A000 AG005.1111.930.A000 AG005.1111.940.A000 AG005.2211.830.A000 AG005.2211.840.A000 AG005.2211.930.A000 AG005.2211.940.A000 AG005.3311.830.A000 AG005.3311.840.A000 AG005.3311.930.A000 AG005.3311.940.A000 AG008.1111.830.A000 AG008.1111.840.A000 AG008.1111.930.A000 AG008.1111.940.A000 AG008.2211.830.A000 AG008.2211.840.A000 AG008.2211.930.A000 AG008.2211.940.A000 AG008.3311.830.A000 AG008.3311.840.A000 AG008.3311.930.A000 AG008.3311.940.A000	AG008.1111.830.D000

## DIMENSIONS

L [mm]	W [mm]	H [mm]	ON/OFF	DALI
680	589	46	AG006.1111.830.A000	AG006.1111.830.D000
			AG006.1111.840.A000	AG006.1111.840.D000
			AG006.1111.930.A000	AG006.1111.930.D000
			AG006.1111.940.A000	AG006.1111.940.D000
			AG006.2211.830.A000	AG006.2211.830.D000
			AG006.2211.840.A000	AG006.2211.840.D000
			AG006.2211.930.A000	AG006.2211.930.D000
			AG006.2211.940.A000	AG006.2211.940.D000
			AG006.3311.830.A000	AG006.3311.830.D000
			AG006.3311.840.A000	AG006.3311.840.D000
			AG006.3311.930.A000	AG006.3311.930.D000
			AG006.3311.940.A000	AG006.3311.940.D000
			AG009.1111.830.A000	AG009.1111.830.D000
			AG009.1111.840.A000	AG009.1111.840.D000
			AG009.1111.930.A000	AG009.1111.930.D000
			AG009.1111.940.A000	AG009.1111.940.D000
			AG009.2211.830.A000	AG009.2211.830.D000
			AG009.2211.840.A000	AG009.2211.840.D000
			AG009.2211.930.A000	AG009.2211.930.D000
			AG009.2211.940.A000	AG009.2211.940.D000
			AG009.3311.830.A000	AG009.3311.830.D000
			AG009.3311.840.A000	AG009.3311.840.D000
			AG009.3311.930.A000	AG009.3311.930.D000
			AG009.3311.940.A000	AG009.3311.940.D000
970	840	46	AG007.1111.830.A000	AG007.1111.830.D000
			AG007.1111.840.A000	AG007.1111.840.D000
			AG007.1111.930.A000	AG007.1111.930.D000
			AG007.1111.940.A000	AG007.1111.940.D000
			AG007.2211.830.A000	AG007.2211.830.D000
			AG007.2211.840.A000	AG007.2211.840.D000
			AG007.2211.930.A000	AG007.2211.930.D000
			AG007.2211.940.A000	AG007.2211.940.D000
			AG007.3311.830.A000	AG007.3311.830.D000
			AG007.3311.840.A000	AG007.3311.840.D000
			AG007.3311.930.A000	AG007.3311.930.D000
			AG007.3311.940.A000	AG007.3311.940.D000
			AG010.1111.830.A000	AG010.1111.830.D000
			AG010.1111.840.A000	AG010.1111.840.D000
			AG010.1111.930.A000	AG010.1111.930.D000
			AG010.1111.940.A000	AG010.1111.940.D000
			AG010.2211.830.A000	AG010.2211.830.D000
			AG010.2211.840.A000	AG010.2211.840.D000
			AG010.2211.930.A000	AG010.2211.930.D000
			AG010.2211.940.A000	AG010.2211.940.D000
			AG010.3311.830.A000	AG010.3311.830.D000
			AG010.3311.840.A000	AG010.3311.840.D000
			AG010.3311.930.A000	AG010.3311.930.D000
			AG010.3311.940.A000	AG010.3311.940.D000

L = Length | W = Width | H = Height / Depth

## ACCESSORIES

### Electric element



Electrical suspension  
Pieces in set: 1

FS002.22.1500  
PX0922077

Grey

FS002.11.1500  
PX0922083

White

FS002.33.1500  
PX0922090

Black

### Installation element



Simple suspension  
Pieces in set: 1

FS001.00.1500  
PX0922149



Geometric LED (Ring/Triangle) central  
suspension 3x  
Pieces in set: 1

FS019.11.1500 1500mm White

FS019.11.3000 3000mm White

FS019.11.5000 5000mm White

FS019.11.7000 7000mm White

FS019.22.1500 1500mm Grey

FS019.22.3000 3000mm Grey

FS019.22.5000 5000mm Grey

FS019.22.7000 7000mm Grey

FS019.33.1500 1500mm Black

FS019.33.3000 3000mm Black

FS019.33.5000 5000mm Black

FS019.33.7000 7000mm Black

