

## Geometric Ring LED



A family of LED luminaires in the shape of a round. Thanks to their modern and universal shape, GEOMETRIC RING LED luminaires can be used in any type of space inside a building. Their main characteristics are a uniform luminance all over the OPAL diffuser and a high-quality lighting performance

**Materials:** powder painted aluminum profile (grey colour in standard). OPAL diffuser.

**Installation:** suspended (suspensions 1,5 m in set)

**Power:** 230V

### ELECTRICAL DATA

Light source	LED
Number of light sources	1
Type of equipment	AC
Voltage rating	220 ... 240 V
Light source included	Yes
Power factor	0.96

### MECHANICAL DATA

Type of installation	Suspended
Housing material	Aluminum

### INFORMATION

Colour	Grey
Operating temperature range	-15 ... 40 °C

### CERTIFICATES

Degree of protection (IP)	IP40
Class of protection	I
CE	Yes
HACCP+	Yes
EAC	Yes

### LIGHT DATA

Light colour	White
Color rendering index	84
Light distribution	Wide beam
Class of luminaire	I
Light output degradation	B10
Lumen maintenance	L80
Lifetime	> 72000 h
MacAdam	SDCM 3
Lamp Lumen Maintenance Factor (after 60 000h)	85 %

### OPTICAL DATA

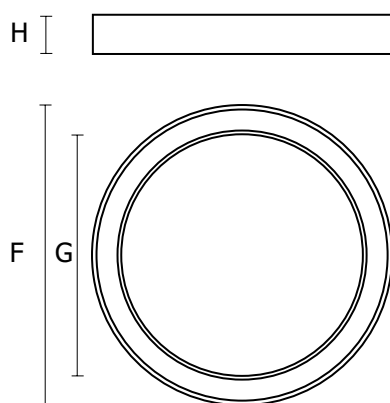
Louver/ shutter	OPAL
Diffuser colour	White
Diffuser material	Opal plastic

### AVAILABLE VARIANTS

Product code	Luminaire power [W]	Luminaire luminous flux [lm]	Luminaire's luminous efficacy [lm/W]	Light distribution	Colour temperature	Other	Info	Weight [kg]
AE001.2211.830.A000 PX4090701	86	8390	98	DI	3000K	-	800mm	6.80
AE001.2211.840.A000 PX4090708	86	8650	101	DI	4000K	-	800mm	6.80
AE002.2211.830.A000 PX4090715	140	13580	97	DI	3000K	-	1200mm	10.50

## AVAILABLE VARIANTS

Product code	Luminaire power [W]	Luminaire luminous flux [lm]	Luminaire's luminous efficacy [lm/W]	Light distribution	Colour temperature	Other	Info	Weight [kg]
AE002.2211.840.A000 PX4090722	140	14000	100	DI	4000K	-	1200mm	10.50
AE003.2211.830.A000 PX4090723	124	12030	97	DI/IN	3000K	DI-8440lm / IN-3590lm	800mm	8.50
AE003.2211.840.A000 PX4090724	124	12400	100	DI/IN	4000K	DI-8700lm / IN-3700lm	800mm	8.50
AE004.2211.830.A000 PX4090725	200	18920	95	DI/IN	3000K	DI-13270lm / IN-5650lm	1200mm	12.60
AE004.2211.840.A000 PX4090726	200	19490	97	DI/IN	4000K	DI-13670lm / IN-5820lm	1200mm	12.60



## DIMENSIONS

Product code	H [mm]	F [mm]	G [mm]
AE001.2211.830.A000 PX4090701	62	800	600
AE001.2211.840.A000 PX4090708	62	800	600
AE002.2211.830.A000 PX4090715	62	1200	1000
AE002.2211.840.A000 PX4090722	62	1200	1000
AE003.2211.830.A000 PX4090723	108	800	600
AE003.2211.840.A000 PX4090724	108	800	600
AE004.2211.830.A000 PX4090725	108	1200	1000
AE004.2211.840.A000 PX4090726	108	1200	1000

H = Height / Depth | F = Outer diameter | G = Inner diameter

## ACCESSORIES

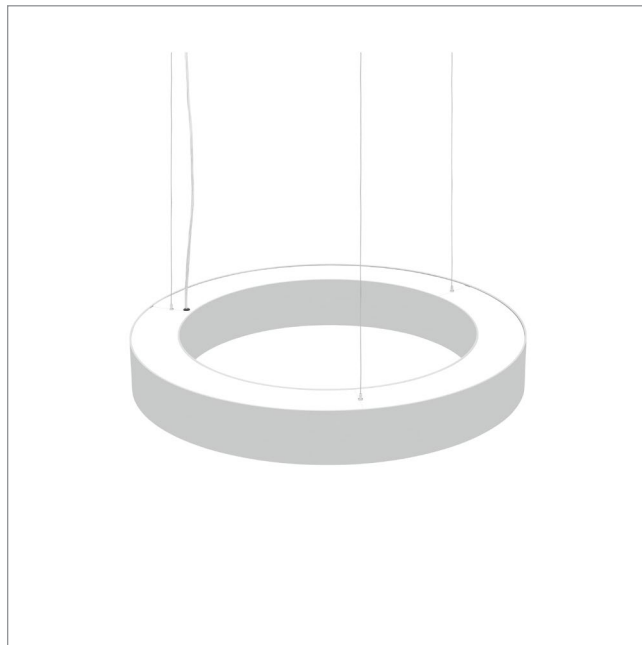
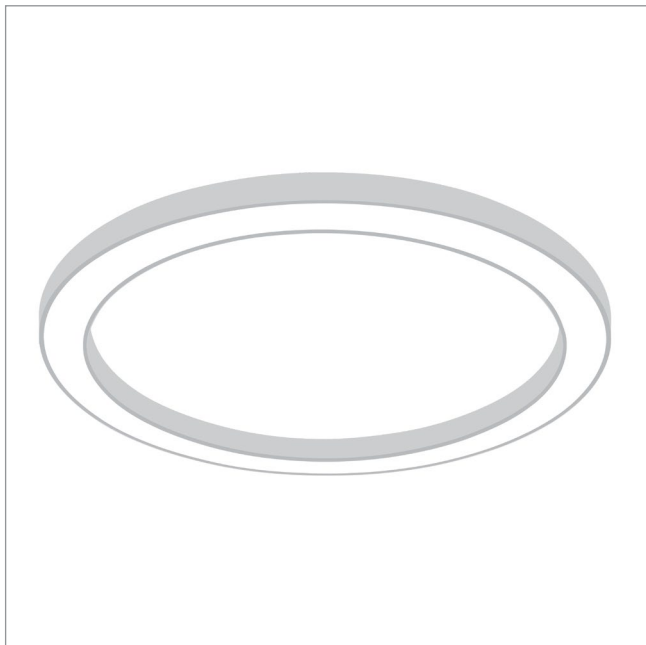
### Installation element



Geometric LED (Ring/Triangle) central suspension 3x  
Pieces in set: 1

FS019.11.1500	1500mm	White
FS019.11.3000	3000mm	White
FS019.11.5000	5000mm	White
FS019.11.7000	7000mm	White
FS019.22.1500	1500mm	Grey
FS019.22.3000	3000mm	Grey
FS019.22.5000	5000mm	Grey
FS019.22.7000	7000mm	Grey
FS019.33.1500	1500mm	Black
FS019.33.3000	3000mm	Black
FS019.33.5000	5000mm	Black
FS019.33.7000	7000mm	Black

GEOMETRIC RING LED DI 800mm



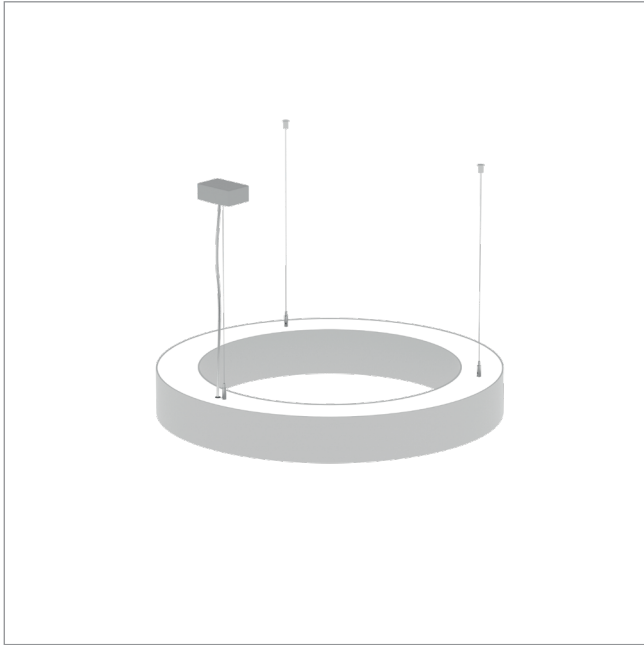
GEOMETRIC RING LED DI-IN 800mm



GEOMETRIC RING LED DI-IN 800mm



GEOMETRIC RING LED DI 1200mm



GEOMETRIC RING LED DI-IN 1200mm



GEOMETRIC RING LED DI-IN 1200mm

