

**AUGUSTA 4** (AUG-10001) (Version 1)**Product description**

102x50 mm - 500 mm

**Luminaire Structure**

- Die-cast aluminium housing and frame
- Extruded aluminium column
- Pre-treated before powder coating ensuring high corrosion resistance
- Single cable entry
- One IP68 connector supplied with 0.2 m of 3x1.0 sqmm outdoor cable
- Stainless steel fasteners in grade 304 with zinc flake coating (ZFC)
- Durable silicone rubber gasket
- Toughened glass
- Integral control gear

**Optic****G****Product colour**

01 - Black (RAL 9011)    02 - Dark Grey (RAL 7043)    03 - White (RAL 9003)    05 - Matt Silver (RAL 9006)



06 - Bronze (RAL 6014)

**Special finishes upon request**

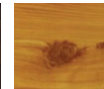
SU01 - Concrete - Urban    SU02 - Softscape - Urban    SU03 - Stone - Urban    SU04 - Corten - Urban



SW01 - Oak - Woodland



SW02 - Walnut - Woodland



SW03 - Pine - Woodland

**AUGUSTA 4 (AUG-10001) (Version 1)**

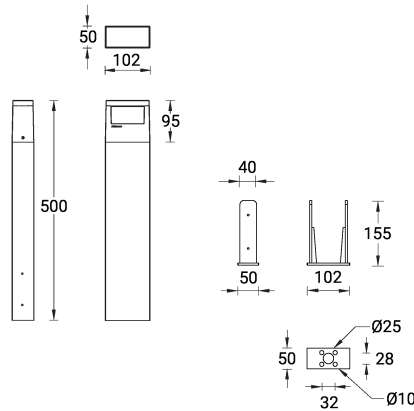
**Technical information**

<b>Material</b>	Aluminium
<b>Light source</b>	18 LED
<b>Power</b>	9 W
<b>Lumen</b>	370 - 396 lm
<b>Efficacy</b>	41 - 44 lm/W
<b>Driver option</b>	Integral control gear
<b>Driver</b>	Constant current (CC)
<b>Input voltage</b>	220-240 V 50/60 Hz
<b>Optic</b>	G

<b>Optic value</b>	70°x114°
<b>CCT / CRI</b>	3000K CRI80, 4000K CRI80
<b>Bug</b>	B0-U0-G0
<b>ULR</b>	0%
<b>ULOR</b>	0%
<b>CIE flux code n°3</b>	96
<b>Dimming type</b>	On/Off
<b>Product colours</b>	Black, Dark Grey, White, Matt Silver, Bronze, Concrete - Urban, Softscape - Urban, Stone - Urban, Corten - Urban, Oak - Woodland, Walnut - Woodland, Pine - Woodland
<b>Weight</b>	2.06 kg

<b>Operating temperature</b>	-20 °C to 40 °C
<b>Cable</b>	One IP68 connector supplied with 0.2 m of 3x1.0 sqmm outdoor cable
<b>Through wiring</b>	Single cable entry
<b>Lens / Reflector / Optic</b>	Toughened glass
<b>MacAdam Ellipse</b>	3 SDCM
<b>Lifetime L90B10 (hours)</b>	> 23,000
<b>Lifetime L80B10 (hours)</b>	> 45,000
<b>Lifetime L80B50 (hours)</b>	> 49,000
<b>Variants (On/Off)</b>	Compatible with EN/ IEC 60598-2-22: Suitable for emergency installations as central supply, non-maintained (Z0)

AUG-10001



**Accessories**



Anchor bolt  
**A13691**