

CINATI 1 (CI-30121) (Version 3)



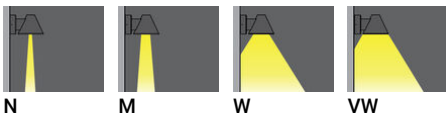
Luminaire Structure

- Die-cast aluminium housing and frame
- Pre-treated before powder coating ensuring high corrosion resistance
- Two cable entries for through wiring
- Stainless steel fasteners in grade 304 with zinc flake coating (ZFC)

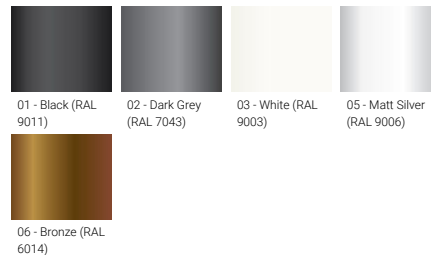
- Durable silicone rubber gasket
- High-efficiency optical reflector
- Clear toughened glass
- Integral control gear

- Optional surface mounting box for easy wiring or conduit connection when wiring from behind is not possible

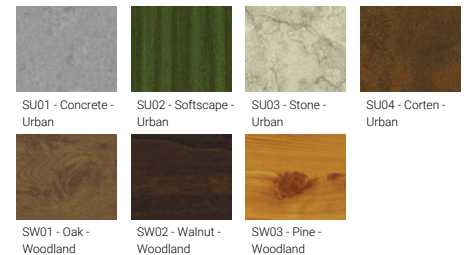
Optic



Product colour



Special finishes upon request

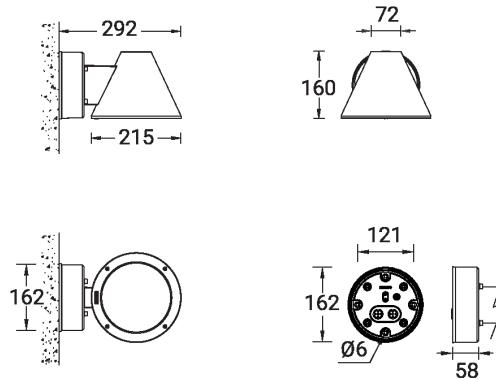


CINATI 1 (CI-30121) (Version 3)

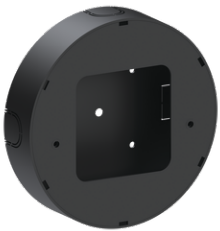
Technical information

Material	Aluminium	Optic	N, M, W, VW	Product colours	Black, Dark Grey, White, Matt Silver, Bronze, Concrete - Urban, Softscape - Urban, Stone - Urban, Corten - Urban, Oak - Woodland, Walnut - Woodland, Pine - Woodland
Light source	1 COB	Optic value	9°, 20°, 38°, 71°	Weight	3.3 kg
Power	20 W	CCT / CRI	3000K CRI80, 4000K CRI80	Operating temperature	-20 °C to 40 °C
Lumen	2180 - 2624 lm	Bug	B2-U0-G0	Through wiring	Two cable entries for through wiring
Efficacy	109 - 131 lm/W	ULR	0%	Lens / Reflector / Optic	High-efficiency optical reflector, Clear toughened glass
Driver option	Integral control gear	ULOR	0%	MacAdam Ellipse	3 SDCM
Driver	Constant current (CC)	CIE flux code n°3	100, 99	Lifetime L90B10 (hours)	> 61,000
Input voltage	220-240 V 50/60 Hz	Dimming type	On/Off, 1-10V, DALI	Variants (On/Off, 1-10V)	Compatible with EN/ IEC 60598-2-22: Suitable for emergency installations as central supply, non-maintained (Z0)

CI-30121



Accessories



Surface mounting box for easy cabling (CINATI 1)
SCE-CINATI-1



DALI Control System
Control-DALI