

JET 57 (JE-10572) (Version 2)



Product description

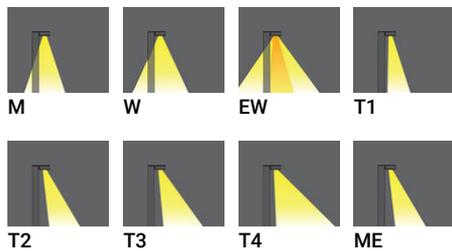
Ø102 - 1000 mm - 1 side - Round



Luminaire Structure

- Die-cast aluminium housing
- Extruded aluminium column
- Pre-treated before powder coating ensuring high corrosion resistance
- Single cable entry
- One IP68 connector supplied with 0.2 m of 3x1.0 sqmm outdoor cable
- Stainless steel fasteners in grade 304 with zinc flake coating (ZFC)
- Durable silicone rubber gasket
- Clear toughened glass
- Integral control gear

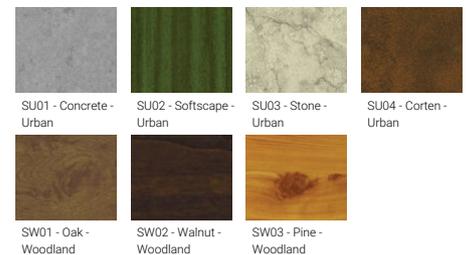
Optic



Product colour



Special finishes upon request



JET 57 (JE-10572) (Version 2)

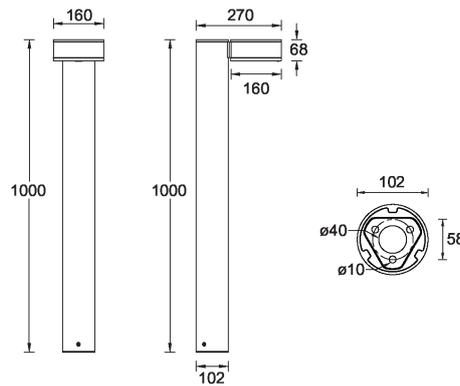
Technical information

Material	Aluminium
Light source	2 x 4 LED
Power	19 W
Lumen	1722 - 2135 lm
Efficacy	91 - 112 lm/W
Driver option	Integral control gear
Driver	Constant current (CC)
Input voltage	220-240 V 50/60 Hz
Optic	M, W, EW, T1, T2, T3, T4, ME

Optic value	30, 55°, 114°x109°, 145°x68°, 131°x43°, 124°x61°, 94°x68°, 133°x54°
CCT / CRI	3000K CRI80, 4000K CRI80
Bug	B0-U0-G0, B1-U0-G0, B1-U0-G1
ULR	0%
ULOR	0%
CIE flux code n°3	97, 98, 99
Dimming type	On/Off, 1-10V, DALI
Product colours	Black, Dark Grey, White, Matt Silver, Bronze, Concrete - Urban, Softscape - Urban, Stone - Urban, Corten - Urban, Oak - Woodland, Walnut - Woodland, Pine - Woodland
Weight	5.5 kg

Operating temperature	-20 °C to 50 °C
Cable	One IP68 connector supplied with 0.2 m of 3x1.0 sqmm outdoor cable
Through wiring	Single cable entry
Lens / Reflector / Optic	Clear toughened glass
MacAdam Ellipse	3 SDCM
Lifetime L90B10 (hours)	> 90,000
Lifetime L80B10 (hours)	> 90,000
Lifetime L80B50 (hours)	> 90,000
Variants (On/Off, 1-10V, DALI)	Compatible with EN/ IEC 60598-2-22: Suitable for emergency installations as central supply, non-maintained (Z0)

JE-10572



Accessories



Anchor bolt
A10791



DALI Control System
Control-DALI