

**JET 58** (JE-10582) (Version 2)



**Product description**

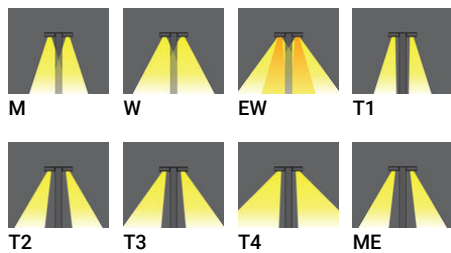
Ø102 - 1000 mm - 2 sides - Round



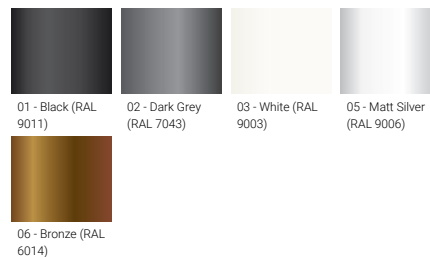
**Luminaire Structure**

- Die-cast aluminium housing
- Extruded aluminium column
- Pre-treated before powder coating ensuring high corrosion resistance
- Single cable entry
- One IP68 connector supplied with 0.2 m of 3x1.0 sqmm outdoor cable
- Stainless steel fasteners in grade 304 with zinc flake coating (ZFC)
- Durable silicone rubber gasket
- Clear toughened glass
- Integral control gear

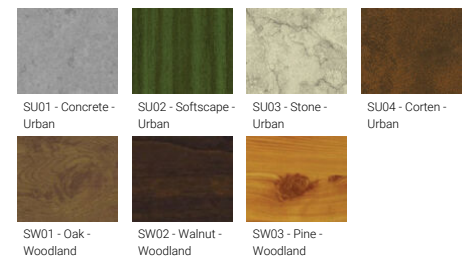
**Optic**



**Product colour**



**Special finishes upon request**



**JET 58** (JE-10582) (Version 2)

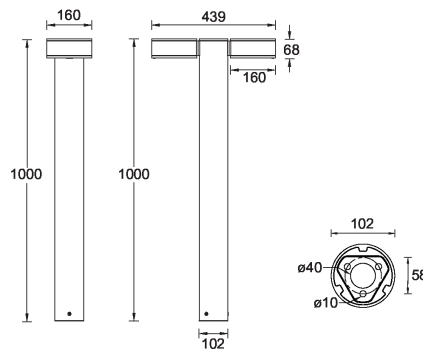
**Technical information**

|                      |                              |
|----------------------|------------------------------|
| <b>Material</b>      | Aluminium                    |
| <b>Light source</b>  | 2 x 4 LED                    |
| <b>Power</b>         | 38 W                         |
| <b>Lumen</b>         | 3444 - 4270 lm               |
| <b>Efficacy</b>      | 91 - 112 lm/W                |
| <b>Driver option</b> | Integral control gear        |
| <b>Driver</b>        | Constant current (CC)        |
| <b>Input voltage</b> | 220-240 V 50/60 Hz           |
| <b>Optic</b>         | M, W, EW, T1, T2, T3, T4, ME |

|                          |  |
|--------------------------|--|
| <b>Optic value</b>       | 30°, 55°, 117°, 145°x68°, 131°x43°, 124°x61°, 94°x68°, 133°x54°  |
| <b>CCT / CRI</b>         | 3000K CRI80, 4000K CRI80   |
| <b>Bug</b>               | B0-U0-G0, B1-U0-G0, B1-U0-G1   |
| <b>ULR</b>               | 0%   |
| <b>ULOR</b>              | 0%   |
| <b>CIE flux code n°3</b> | 97, 98, 99   |
| <b>Dimming type</b>      | On/Off, 1-10V, DALI  |
| <b>Product colours</b>   | Black, Dark Grey, White, Matt Silver, Bronze, Concrete - Urban, Softscape - Urban, Stone - Urban, Corten - Urban, Oak - Woodland, Walnut - Woodland, Pine - Woodland |
| <b>Weight</b>            | 7.1 kg   |

|                                 |   |
|---------------------------------|---|
| <b>Operating temperature</b>    | -20 °C to 50 °C   |
| <b>Cable</b>                    | One IP68 connector supplied with 0.2 m of 3x1.0 sqmm outdoor cable  |
| <b>Through wiring</b>           | Single cable entry  |
| <b>Lens / Reflector / Optic</b> | Clear toughened glass   |
| <b>MacAdam Ellipse</b>          | 3 SDCM  |
| <b>Lifetime L90B10 (hours)</b>  | > 90,000  |
| <b>Lifetime L80B10 (hours)</b>  | > 90,000  |
| <b>Lifetime L80B50 (hours)</b>  | > 90,000  |
| <b>Variants (1-10V, DALI)</b>   | Compatible with EN/ IEC 60598-2-22: Suitable for emergency installations as central supply, non-maintained (Z0) |

JE-10582



**Accessories**



Anchor bolt  
**A10791**



DALI Control System  
**Control-DALI**