

ODESSA 1 (OD-50001) (Version 2)



Product description

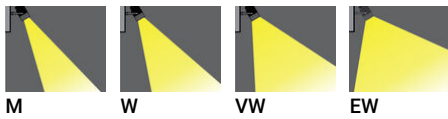
Small



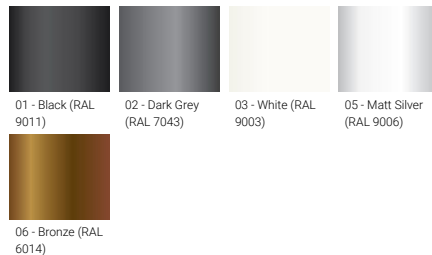
Luminaire Structure

- Die-cast aluminium housing
- Pre-treated before powder coating ensuring high corrosion resistance
- Single cable entry
- One IP68 connector supplied with 0.2 m of 3x1.0 sqmm outdoor cable
- Stainless steel fasteners in grade 304 with zinc flake coating (ZFC)
- Durable silicone rubber gasket
- High-efficiency optical reflector
- Clear toughened glass
- Integral control gear
- Arm mounting installation

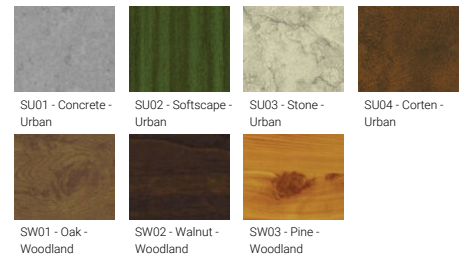
Optic



Product colour



Special finishes upon request



ODESSA 1 (OD-50001) (Version 2)

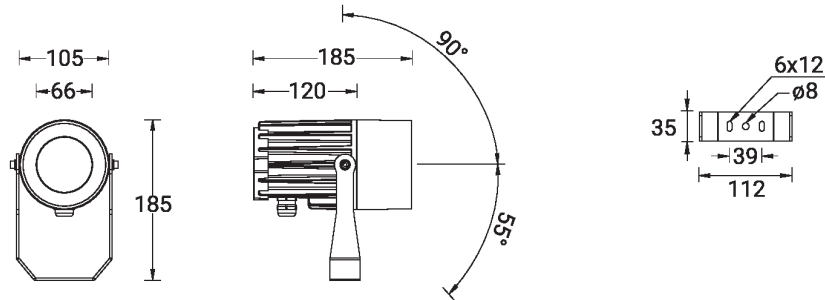
Technical information

Material	Aluminium
Light source	1 COB
Power	20 W
Lumen	1594 - 1703 lm
Efficacy	80 - 85 lm/W
Driver option	Integral control gear
Driver	Constant current (CC)
Input voltage	220-240 V 50/60 Hz
Optic	M, W, VW, EW

Optic value	28°, 35°, 46°, 75°
CCT / CRI	3000K CRI80, 4000K CRI80
Bug	B1-U0-G0, B2-U0-G0
ULR	0%
ULOR	0%
CIE flux code n°3	100
Dimming type	On/Off, 1-10V, DALI
Product colours	Black, Dark Grey, White, Matt Silver, Bronze, Concrete - Urban, Softscape - Urban, Stone - Urban, Corten - Urban, Oak - Woodland, Walnut - Woodland, Pine - Woodland
Weight	1.7 kg

Operating temperature	-20 °C to 40 °C
EPA (m2)	0.034
Cable	One IP68 connector supplied with 0.2 m of 3x1.0 sqmm outdoor cable
Through wiring	Single cable entry
Lens / Reflector / Optic	High-efficiency optical reflector, Clear toughened glass
MacAdam Ellipse	3 SDCM
Lifetime L90B10 (hours)	> 61,000
Variants (On/Off, 1-10V, DALI)	Compatible with EN/ IEC 60598-2-22: Suitable for emergency installations as central supply, non-maintained (Z0)

OD-50001



Accessories



Anti-glare visor
A80331



Ground spike
A50441



Honeycomb louvre
A80121



Linear spread lens
A80214

ODESSA 1 (OD-50001) (Version 2)

DALI Control System
Control-DALI



Pole clamp for ODESSA 1, 2
A22581

Please contact the factory for technical details if you wish to use Anti-glare accessories, Colour filters, Lenses and slip glasses in combination.