

**ODESSA 13 (OD-50151)**



**Product description**

Large - IP66



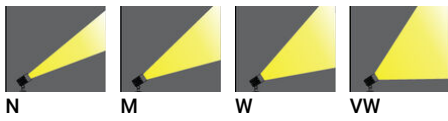
**Luminaire Structure**

- Die-cast aluminium housing
- Pre-treated before powder coating ensuring high corrosion resistance
- Adjustable: Tilt 80° (Up) & 40° (Down), Rotation 350°
- Single cable entry

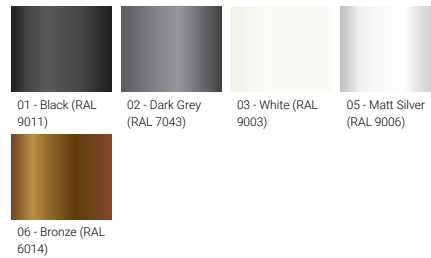
- Stainless steel fasteners in grade 304 with zinc flake coating (ZFC)
- Durable silicone rubber gasket
- High-efficiency optical reflector
- Clear toughened glass

- Integral control gear

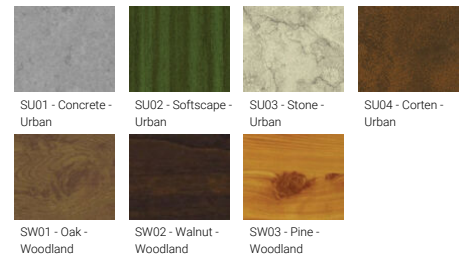
**Optic**



**Product colour**



**Special finishes upon request**



**ODESSA 13 (OD-50151)**

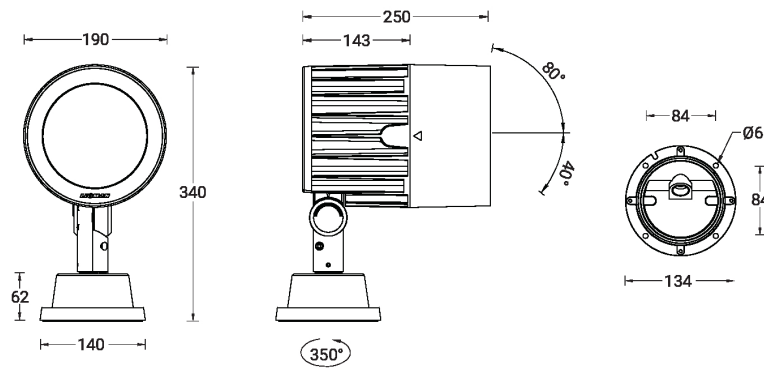
**Technical information**

<b>Material</b>	Aluminium
<b>Light source</b>	1 COB
<b>Power</b>	70 W
<b>Lumen</b>	6909 - 8038 lm
<b>Efficacy</b>	99 - 115 lm/W
<b>Driver option</b>	Integral control gear
<b>Driver</b>	Constant current (CC)

<b>Input voltage</b>	220-240 V 50/60 Hz
<b>Optic</b>	N, M, W, VW
<b>Optic value</b>	21°, 33°, 48°, 70°
<b>CCT / CRI</b>	3000K CRI80, 4000K CRI80
<b>Dimming type</b>	On/Off, 1-10V, DALI
<b>Product colours</b>	Black, Dark Grey, White, Matt Silver, Bronze, Concrete - Urban, Softscape - Urban, Stone - Urban, Corten - Urban, Oak - Woodland, Walnut - Woodland, Pine - Woodland
<b>Weight</b>	6.5 kg

<b>Operating temperature</b>	-20 °C to 40 °C
<b>EPA (m2)</b>	0.057
<b>Through wiring</b>	Single cable entry
<b>Lens / Reflector / Optic</b>	High-efficiency optical reflector, Clear toughened glass
<b>MacAdam Ellipse</b>	3 SDCM
<b>Lifetime L90B10 (hours)</b>	> 61,000
<b>Variants (On/Off, DALI)</b>	Compatible with EN/ IEC 60598-2-22: Suitable for emergency installations as central supply, non-maintained (ZO)

OD-50151



**Accessories**



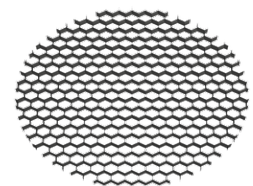
Anti glare visor  
**A54331**



Anti glare louvre  
**A54531**



Linear spread lens  
**A51814**



Honeycomb louvre  
**A54121**

**ODESSA 13** (OD-50151)

DALI Control System  
**Control-DALI**

---

Please contact the factory for technical details if you wish to use Anti-glare accessories, Colour filters, Lenses and slip glasses in combination.