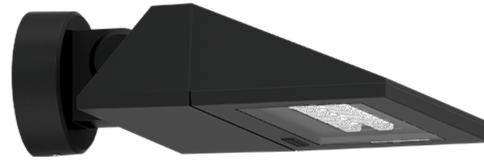


VEKTER 9 (VK-30021)



Product description

Mounting box - Medium



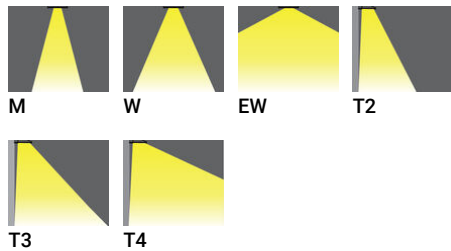
Luminaire Structure

- Die-cast aluminium housing and frame
- Pre-treated before powder coating ensuring high corrosion resistance
- Two cable entries for through wiring
- Stainless steel fasteners in grade 304 with zinc flake coating (ZFC)

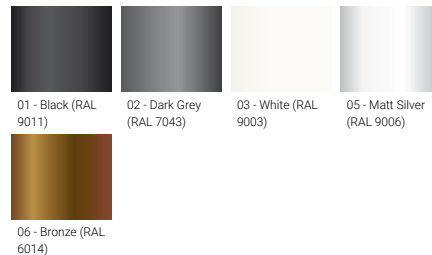
- Durable silicone rubber gasket
- Clear toughened glass
- High-efficiency PMMA lens
- Integral control gear

- Optional surface mounting box for easy wiring or conduit connection when wiring from behind is not possible

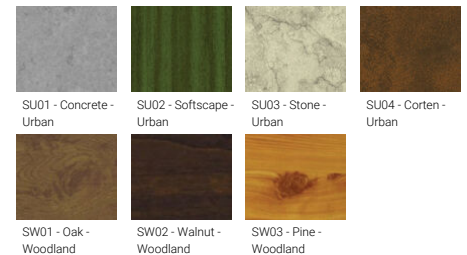
Optic



Product colour



Special finishes upon request



VEKTER 9 (VK-30021)

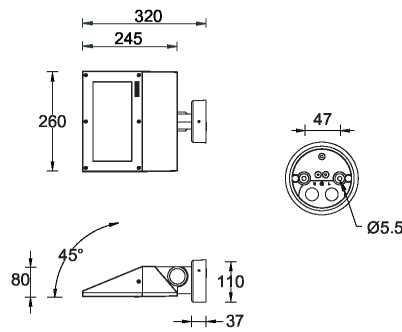
Technical information

Material	Aluminium
Light source	12 LED
Power	20 W
Lumen	2148 - 2473 lm
Efficacy	107 - 124 lm/W
Driver option	Integral control gear
Driver	Constant current (CC)
Input voltage	220-240 V 50/60 Hz
Optic	M, W, EW, T2, T3, T4

Optic value	31°, 53°, 110°, 144°x50°, 139°x68°, 97°x77°
CCT / CRI	3000K CRI80, 4000K CRI80
Bug	B1-U0-G0, B1-U0-G1, B2-U0-G0
ULOR	0%
CIE flux code n°3	97%, 99%
Dimming type	On/Off, 1-10V, DALI
Product colours	Black, Dark Grey, White, Matt Silver, Bronze, Concrete - Urban, Softscape - Urban, Stone - Urban, Corten - Urban, Oak - Woodland, Walnut - Woodland, Pine - Woodland
Weight	4.6 kg
Operating temperature	-20 °C to 40 °C

Through wiring	Two cable entries for through wiring
Lens / Reflector / Optic	Clear toughened glass, High-efficiency PMMA lens
MacAdam Ellipse	3 SDCM
Lifetime L90B10 (hours)	> 90,000
Lifetime L80B10 (hours)	> 90,000
Lifetime L80B50 (hours)	> 90,000
Variants (On/Off, 1-10V, DALI)	Compatible with EN/ IEC 60598-2-22: Suitable for emergency installations as central supply, non-maintained (Z0)

VK-30021



Accessories



Surface mounting box for easy cabling (VEKTER 9)
SCE-VEKTER-9