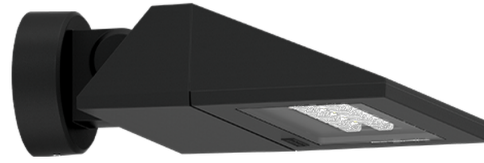


VEKTER 9 (VK-30022)



Product description

Mounting box - Medium



Luminaire Structure

- Die-cast aluminium housing and frame
- Pre-treated before powder coating ensuring high corrosion resistance
- Two cable entries for through wiring
- Stainless steel fasteners in grade 304 with zinc flake coating (ZFC)

- Durable silicone rubber gasket
- Clear toughened glass
- High-efficiency PMMA lens
- Integral control gear

- Optional surface mounting box for easy wiring or conduit connection when wiring from behind is not possible

Optic



M W EW T2



T3 T4

Product colour

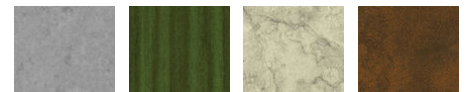


01 - Black (RAL 9011) 02 - Dark Grey (RAL 7043) 03 - White (RAL 9003) 05 - Matt Silver (RAL 9006)



06 - Bronze (RAL 6014)

Special finishes upon request



SU01 - Concrete - Urban SU02 - Softscape - Urban SU03 - Stone - Urban SU04 - Corten - Urban



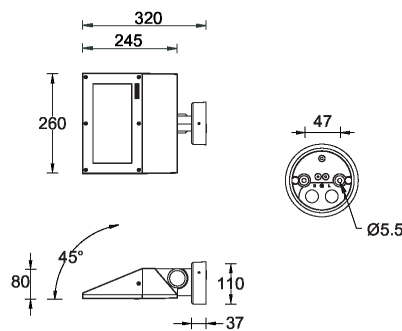
SW01 - Oak - Woodland SW02 - Walnut - Woodland SW03 - Pine - Woodland

VEKTER 9 (VK-30022)

Technical information

| | | | | | |
|----------------------|-----------------------|------------------------------|--|---------------------------------|---|
| Material | Aluminium | Optic value | 31°, 53°, 110°, 144°x50°, 139°x68°, 97°x77° | Through wiring | Two cable entries for through wiring |
| Light source | 12 LED | CCT / CRI | 3000K CRI80, 4000K CRI80 | Lens / Reflector / Optic | Clear toughened glass, High-efficiency PMMA lens |
| Power | 28 W | Bug | B1-U0-G0, B1-U0-G1, B2-U0-G0, B3-U0-G0 | MacAdam Ellipse | 3 SDCM |
| Lumen | 2873 - 3330 lm | ULOR | 0% | Lifetime L90B10 (hours) | > 90,000 |
| Efficacy | 103 - 119 lm/W | CIE flux code n°3 | 97%, 99% | Lifetime L80B10 (hours) | > 90,000 |
| Driver option | Integral control gear | Dimming type | On/Off, DALI | Lifetime L80B50 (hours) | > 90,000 |
| Driver | Constant current (CC) | Product colours | Black, Dark Grey, White, Matt Silver, Bronze, Concrete - Urban, Softscape - Urban, Stone - Urban, Corten - Urban, Oak - Woodland, Walnut - Woodland, Pine - Woodland | Variants (DALI) | Compatible with EN/ IEC 60598-2-22: Suitable for emergency installations as central supply, non-maintained (Z0) |
| Input voltage | 220-240 V 50/60 Hz | | | | |
| Optic | M, W, EW, T2, T3, T4 | Weight | 4.6 kg | | |
| | | Operating temperature | -20 °C to 40 °C | | |

VK-30022



Accessories



Surface mounting box for easy cabling (VEKTER 9)
SCE-VEKTER-9