

NEWTON H1



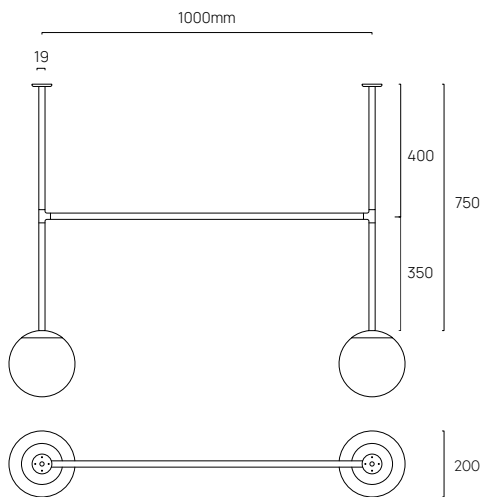
NEWTON H1

Opal acrylic ball fixed with a brass cap. 19mm brass tube gives a more solid dimension for larger commercial applications. Various tube and acrylic ball configurations available. Designed and manufactured in Australia.

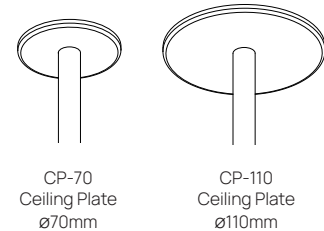
TECHNICAL DETAILS

APPLICATION	Commercial Interiors
TRIM COLOURS	Brass, Custom Colours
MATERIALS	Opal Acrylic, Brass
INPUT POWER	240V
LUMEN OUTPUT	800 Lumens
WATTAGE	12W (6W per Sphere)
CRI	90
LUMEN MAINTENANCE	L70
DIMMING	Leading/Trailing Edge Dali
MOUNTING OPTIONS	CP-70 - Screw Plate with Cap CP-110 - Screw Plate with Cap
WEIGHT	3kg

DIMENSIONS



MOUNTING OPTIONS



ORDERING OPTIONS

Fitting	Wattage	Colour	CCT	Dimming	Mounting
NH1	12 Watts (12W)	Brass (B) Custom (C)	2700K (27K) 3000K (3K) 4000K (4K)	Dali Dimming (DD) Leading/Trailing (TR)	Ceiling Plate 70mm (CP-70) Ceiling Plate 110mm (CP-110)

ORDER CODE

NH1	12W				
-----	-----	--	--	--	--