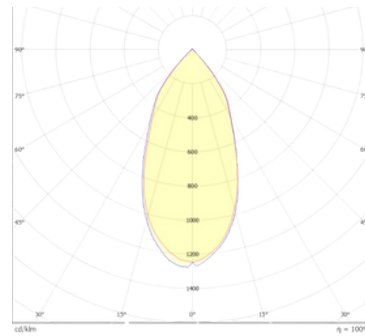
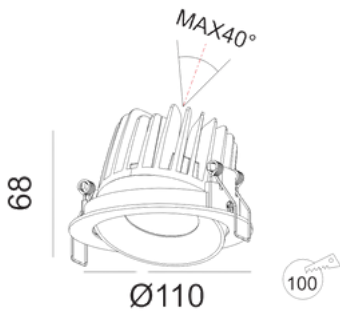


A modern, high-performing downlight suitable for commercial and residential applications. Die cast aluminium body with a high efficiency reflector and clear polycarbonate lens. High quality LED technology ensures the luminaire's long life while maintaining colour quality.



MECHANICAL

Installation	Recessed
Housing Material	Aluminium
Lens Material	Clear Polycarbonate
Ingress Protection	IP20
Luminaire Diameter	110mm
Cut-Out Diameter	100mm
Luminaire Depth	75mm
Adjustable	Max. Tilt ±20°

ELECTRICAL

Driver Included	Yes
Voltage Input	230V AC
Drive Current	350mA

LIGHT SOURCE

LED Manufacturer	Cree
LED Series	CXA1512
Beam Angle	60°
Luminaire Lumens	1,338lm
Luminaire Efficacy	89.20lm/W
Luminaire Power	15W
Colour Rendition (CRI)	Ra 92
Colour Consistency	SDCM 3
Lifetime	L90 B10 60,000hrs



LUMINAIRE OPTIONS

POWER	CODE	CCT	CODE	COLOUR	CODE	DIMMING	CODE
15W	15	2700K	W27	WHITE	W	TRAILING EDGE	T
18W	18	3000K	W30	BLACK	B	1-10V	A
		4000K	W40	CUSTOM	C	DALI	D
						CASAMBI	C

CODE GENERATION

	LUMINAIRE	POWER	CCT	COLOUR	DIMMING
CODE	HR-1037	15	W30	W	T
REQUIREMENTS	HUNTER	15W	3000K	WHITE	TRAILING EDGE

COMPLETE CODE = HR-1037-15-W30-W-T