

Roller

Linear Pendant

The Roller is a classic dowel pendant with a subtle curved edge to catch the LED light and create a unique gradient effect. A versatile cylindrical pendant crafted from bespoke timbers. Made in Queensland, Australia.

Technical Details

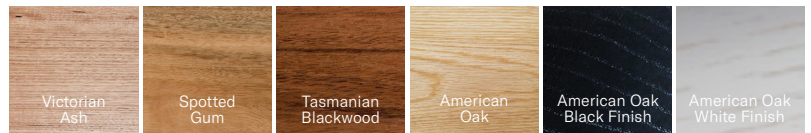
Dimensions	43mm dia
Material	Solid Hardwood, Aluminium, Opal Acrylic, Integral LED Lighting
CRI	90
Wattage	19.8W per metre
Lumens	750lm per metre
Voltage	24V DC
Install	Installed with a remote driver. Must be installed by a licensed electrician
Dimming	Phase Cut (Universal Dimming) Other dimming types on request
Warranty	3 Years



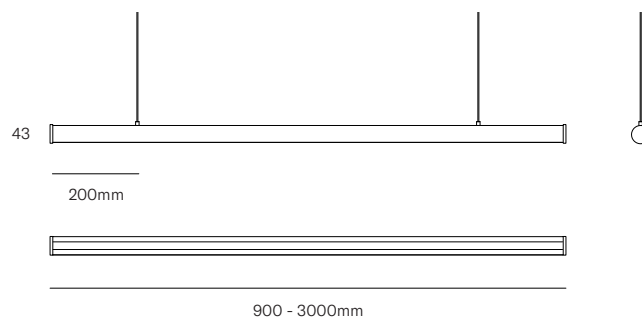
Create a Custom Pendant

Pendant	Roller	RO
Timber	Victorian Ash	VA
	Spotted Gum	SG
	Tasmanian Blackwood	TB
	American Oak	AO
	American Oak - Black Finish	OB
	American Oak - White Finish	OW
	Custom	C
Length	900mm	L90
	1200mm	L12
	1800mm	L18
	2000mm	L20
	2200mm	L22
	2500mm	L25
	2800mm	L28
	3000mm	L30
	Custom	(_m)
	Gripper Colour	White
Black		G2
Solid Brass		G3
Sandblasted Aluminium		G4
Stainless Steel		G5
Custom		G6
End Cap Colour	White	E1
	Black	E2
	Solid Brass	E3
	Sandblasted Aluminium	E4
	Stainless Steel	E5
	Matching Timber	E6
LED Colour Temperature	2700K Warm White	27K
	3000K Bright Warm White	3K
	4000K Cool White	4K
Dimming Type	Phase Cut	PH
	DALI	DD
Ceiling Plate	Small Plate Ø76	76
	Large Plate Ø106	106
	Canopy Ø80	80
Ceiling Plate Colour	White	W
	Black	B
Cable Colour	Silver	SC
	Black	BC
	White	WC
Drop Length	1.5m Standard	1.5m
	Custom	(_m)

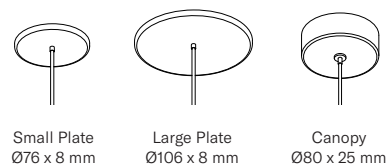
Timber



Dimensions



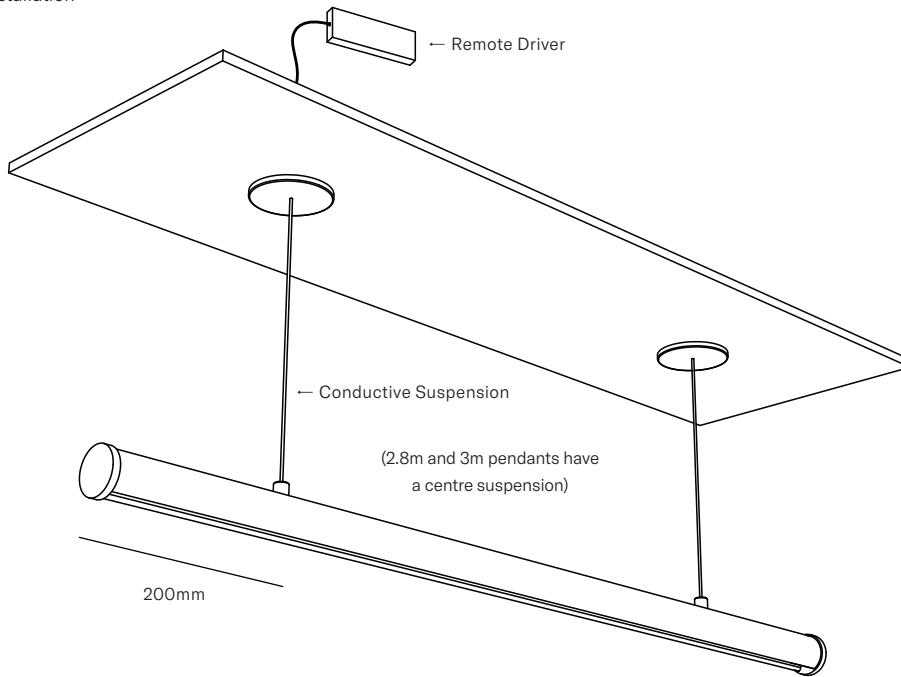
Ceiling Plate



Roller

Linear Pendant

Installation

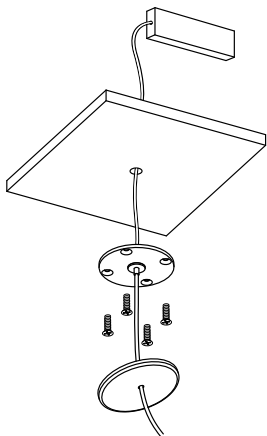


Installation Notes:

All height adjustments are on the ceiling plate, do not adjust the cable at the gripper (fixed to the timber).

The grub screw at the gripper barrel is not to be adjusted. Adjusting this component can damage the power cable, and void the warranty.

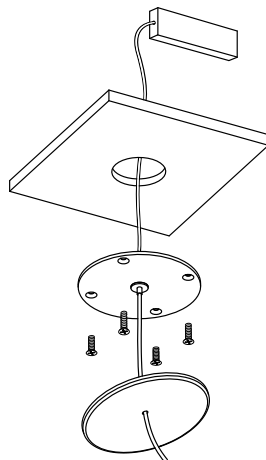
Ceiling Plate Details



Small Plate
Ø76 x 8mm

Suitable for full ceiling access to place the remote driver from above.

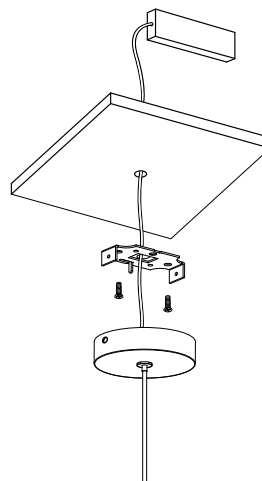
Cutout hole: 10-20mm



Large Plate
Ø106 x 8mm

Suitable for limited ceiling access to place the remote driver from below.

Cutout hole: 60mm



Canopy
Ø80 x 25mm

Suitable for full ceiling access to place the remote driver from above.

Cutout hole: 10-20mm

*Please advise if the installation is on a pitched ceiling.

A flexible knuckle will be provided on the ceiling plate for this installation.