

STEAMER 11 (SE-90022)



Product description

Round - Medium



Luminaire Structure

- Die-cast aluminium housing
- Pre-treated before powder coating ensuring high corrosion resistance
- Single cable entry
- One IP68 connector supplied with 0.5 m of 3x1.0 sqmm outdoor cable

- Stainless steel fasteners in grade 304 with zinc flake coating (ZFC)
- Durable silicone rubber gasket
- Clear toughened glass
- High-efficiency PMMA lens

- Integral control gear
- Surge protection 10kV

Optic



M W EW T2



T3 T4 ME

Product colour

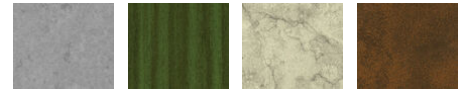


01 - Black (RAL 9011) 02 - Dark Grey (RAL 7043) 03 - White (RAL 9003) 05 - Matt Silver (RAL 9006)



06 - Bronze (RAL 6014)

Special finishes upon request



SU01 - Concrete - Urban SU02 - Softscape - Urban SU03 - Stone - Urban SU04 - Corten - Urban



SW01 - Oak - Woodland SW02 - Walnut - Woodland SW03 - Pine - Woodland

STEAMER 11 (SE-90022)

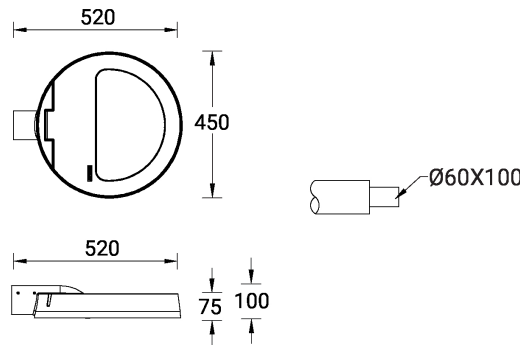
Technical information

Material	Aluminium
Light source	2 x 24 LED
Power	105 W
Lumen	12434 - 14374 lm
Efficacy	118 - 137 lm/W
Driver option	Integral control gear
Driver	Constant current (CC)
Input voltage	220-240 V 50/60 Hz

Optic	M, W, EW, T2, T3, T4, ME
Optic value	30°, 57°, 105°x115°, 136°x51°, 119°x86°, 102°x74°, 137°x58°
CCT / CRI	3000K CRI80, 4000K CRI80
Dimming type	On/Off, 1-10V, DALI
Product colours	Black, Dark Grey, White, Matt Silver, Bronze, Concrete - Urban, Softscape - Urban, Stone - Urban, Corten - Urban, Oak - Woodland, Walnut - Woodland, Pine - Woodland
Weight	11.2 kg
Operating temperature	-20 °C to 50 °C
Cable	One IP68 connector supplied with 0.5 m of 3x1.0 sqmm outdoor cable

Through wiring	Single cable entry
Lens / Reflector / Optic	Clear toughened glass, High-efficiency PMMA lens
MacAdam Ellipse	3 SDCM
Lifetime L90B10 (hours)	> 90,000
Lifetime L80B10 (hours)	> 90,000
Lifetime L80B50 (hours)	> 90,000

SE-90022



Accessories



Double adjustable 60°
A91760



Double arm mount
A91160



Double arm mount
A91360



Double arm mount
A91560

STEAMER 11 (SE-90022)



Single adjustable 60°
A91660



Single arm mount
A91060



Single arm mount
A91260



Single arm mount
A91460



Triple arm mount - Type 1
A92260



Triple arm mount - Type 2
A92360



DALI Control System
Control-DALI



Remote solar charge controller
for Solar Integrated Bollards and
Vertical Solar PV poles
A92691