

Talli

Linear Pendant

Talli is a striking linear beam like pendant crafted in solid timber. The tall timber body allows more timber feature to be displayed, with the shape softened with subtly curved edges. The Talli has been designed to be a statement pendant.

Technical Details

Dimensions	138H x 35W (mm)
Material	Solid Hardwood, Aluminium, Opal Acrylic, Integral LED Lighting
Voltage	24V DC
CRI	90
Wattage	19.2W per metre
Lumens	750lm per metre
Install	Installed with a remote driver. Must be installed by a licensed electrician.
Dimming	Phase-Cut (standard dimming) DALI
Warranty	3 Years

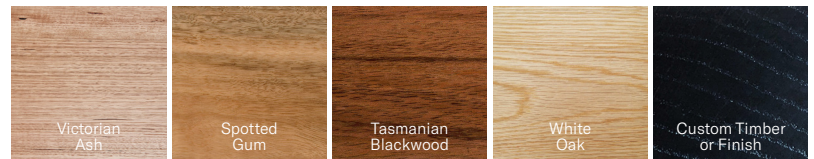


Create a Custom Pendant

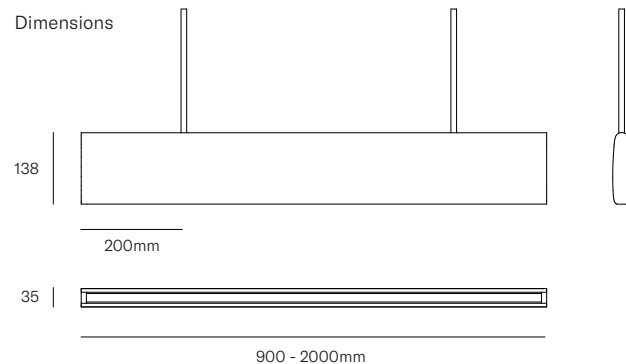
Pendant	Talli	TL
Timber	Victorian Ash Spotted Gum Tasmanian Blackwood White Oak Custom	VA SG TB WO C
Length	900mm 1200mm 1500mm 1800mm 2000mm	L90 L12 L15 L18 L20
LED Colour Temperature	2700K Warm White 3000K Bright Warm White 4000K Cool White	27K 3K 4K
Dimming Type	Phase Cut DALI	PH DD
Ceiling Plate	Large Plate Ø106 Canopy Ø80	106 80
Ceiling Plate Colour	White Black	W B
Rod Colour	Brass Black White	BR BL WH
Rod Length	Custom Specify in mm	_mm

Example code: TL - VA - L90 - 27K - PH - 106 - W - BR - 1200mm

Timber



Dimensions



Ceiling Plate

